

General Safety Regulations

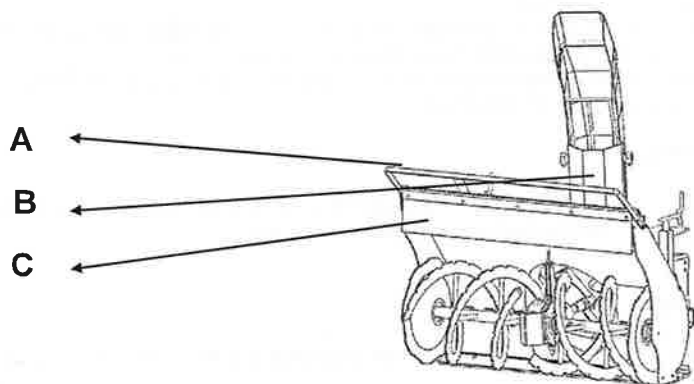
Warning!



The operator must have suitable knowledge of the working area to avoid hitting or collecting objects which are dangerous or could injure people, or damage objects or the machine itself.
If you do not have sufficient knowledge of the area, suspend the operation or proceed with maximum caution. Use the equipment only in good conditions of visibility.

Safety and Protection Devices

The snow blower is equipped with safety devices which aim to eliminate the majority of risks related to normal conditions of use. We recommend that you always adhere to current safety regulations including the use of individual protection devices. (D.P.I)



A - Protective casing and spacer barrier/working zone barrier.

B - Protective grille from access to the conveyor impeller.

- The operator must wait for the machine to come to a complete stop before approaching the machine.

C - Front protection guard in the event of any stone throwback which, due to the rotation of the augers, can be projected across a dangerous trajectory for people or objects nearby.

Safety Plates and Symbols

Plates with safety symbols and/or messages of the various dangers that could arise during use are attached to the snow blower.

Warning!



Ensure that all safety messages are legible.
Clean them using a sponge, water and soap. Do not use solvents, oil or petrol. Replace damaged plates by requesting new ones from the manufacturer. If the plate is located on a part which is replaced, ensure that the new part has a new plate.

1



Read carefully the owner's manual for the use and maintenance before operating this machine.

Danger of dragging!

Danger of injuring superior limbs!

Keep away while the engine is running and wait for it to stop completely.

Danger of injury because of thrown objects!
Keep the safety distance from the machine while operating

Danger of injuring inferior limbs!
Keep the safety distance from the machine while operating

2



-Observe the directions of rotation and the number of revolutions shown

3



-Identification of the lubrication point

4

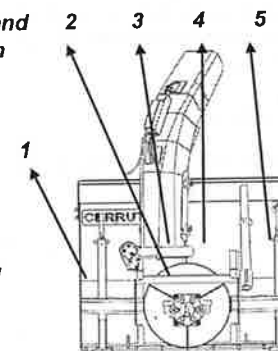


-Connection point for lifting the equipment. Use suitable means and regulation accessories.

5



-mandatory use of personal equipment (P.P.E.)



Equipment lifting/handling

For lifting, use exclusively the intended eyelet in order for the equipment to remain well balanced. The weight of the equipment is located on the machine's data plate (A)

Caution !



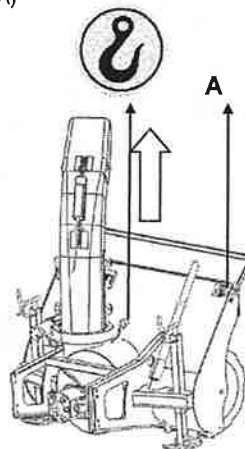
Under no circumstance during lifting should the cables touch the snow ejection vent, since this is a delicate part.

During handling, the operator must ensure that all safety conditions are in place in order to safeguard one's own safety and that of other EXPOSED PEOPLE

Warning!



For equipment handling, use regulation tools and well-maintained slings suitable for the task.



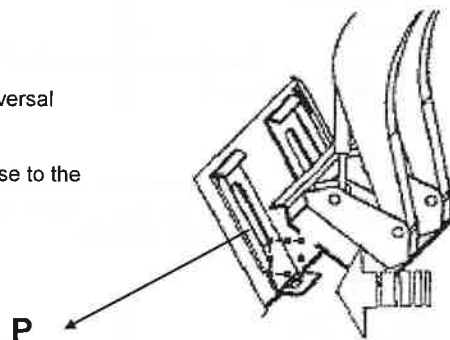
Installing and connecting to the operating machine

The operating machine-equipment connection system may vary according to the machine's model, because of coupling systems which differ from the one shown; please refer to the instructions contained in the operating machine's use and maintenance booklet.

Assembly

The snow turbine is equipped with a universal quick-release plate.

- Slowly drive the operating machine close to the equipment plate. (P)



General Safety Regulations

Do not transport objects or people on the machine except for standard equipment and approved items.

Do not tamper with any part of the equipment. Always keep the machine in a perfect condition and if any problem of any kind should arise, contact our Assistance Centres immediately.

No-one should approach the TURBINE until the machine has been switched off. Never touch parts in motion.

Before using the turbine, you must have good knowledge of all the devices, controls and functions.

If the machine vibrates in a strange way, immediately identify the cause and fix it. Never continue.

Regularly check the tightness of the screws and auger support nuts.

Before attaching the quick release coupling to the vehicle distributor, ensure that the transport circuits and the turbine are not under pressure.

Ensure that the quick release couplings are locked in their respective places.

Before every use of the turbine, check that there are no cuts or abrasions on the hydraulic tubes and if there are, replace them with others provided by the manufacturer.

Sign off each quick release coupling to avoid attachment errors because they cause an inversion of movement.

Liquids under pressure, especially the oil of a hydraulic circuit, can cause serious injury and infections. In the event of an accident, see your doctor.

Before performing interventions on the hydraulic system, turn off the vehicle engine and release pressure from the circuit.

Warning!



High pressure hydraulic circuit. Release the pressure of the system before performing any intervention.

Warning!



Do not leave the machine unattended with the vehicle engine switched on.

Do not carry out maintenance, repairs, or interventions of any kind on the machine or on the equipment connected before the machine has been stabilised and the engine is switched off.

Warning!



Warning. The snow discharged from the chute at high speed could contain small stones or other small or medium size materials which could hit the operator, people or objects nearby.

- Snow discharged from the chute must be directed by the operator using the various adjustments towards non-dangerous places. The minimum safety distance for people and animals is 50 metres from the machine.

General Safety Regulations

CERRUTI cannot be held responsible for accidents or damage caused by inadequately trained staff using the machine or staff misusing the machine as well as any inobservance, even partial, of the safety regulations and intervention procedures outlined in this manual. Safety precautions and warnings are indicated in this manual and are attached to the product itself.

If you do not pay attention to these danger messages, you may cause accidents with serious consequences to yourself and other people.

Warning!



Inobservance of these messages could cause you harm or injury.

CERRUTI cannot foresee all possible circumstances which may pose potential danger. The indications given below cannot fully protect you from all dangers that could arise from the use of this machine; they must be integrated with common sense and your experience which are the sole essential measures for preventing injuries.

Given that the snow blower is connected to another mechanical vehicle, you must read the user and maintenance manual of the equipment and the vehicle itself in their entirety. If any procedures or working techniques are used which are not explicitly advised by CERRUTI, you must ensure that there are no dangers to yourself and others and that these procedures are performed under your sole responsibility.

Common sense and prudence are essential to avoid accidents. Please read the following general safety regulations carefully. Failure to observe the regulations below frees CERRUTI from all and every responsibility. Structural damage, modifications, alterations or improper repairs can change the protection and safety capacity of the machine.

First and foremost, as the operator, you must learn how to quickly turn off the engine, become familiar with the controls and learn how to use the machine correctly.

Do not allow children or inexperienced people to use the machine. Avoid using the machine in proximity to people, especially children or animals. Bear in mind that the user of the machine is responsible for damage or injury caused to other people or their property. You must use the appropriate individual protection devices (P.P.E) such as shoes, glasses, gloves and earmuffs in using the machine and during maintenance operations.

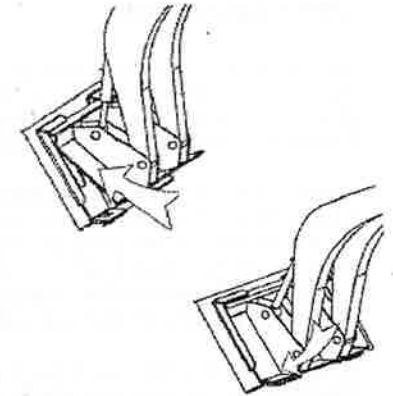


Use adequate clothing and avoid wearing clothing that could catch on moving parts of the machine. Carry out checks on the equipment and the vehicle each time before using the machine. All safety devices must be present and placed in their correct position. Respect road circulation regulations.

Installing and connecting to the operating machine

- Connect the upper part of the operating machine's connection to the upper part of the equipment's connection plate.

- Slowly drive the operating machine forward while at the same time guiding the coupling until full connection has been achieved on the lower part.



- Arrest the operating machine and secure connection of the equipment by means of the device located on the quick-release itself.

Caution !



In order to correctly operate the auxiliary line please refer to the instructions contained in the operating machine's use and maintenance booklet.

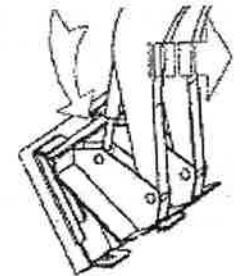
Connection

Hydraulically connect the snow turbine to the quick-connections of the auxiliary line which must be installed on the operating machine. Take care as to not invert the connections.

Disassembly

- Disconnect the flexible tubes from the quick-connections of the auxiliary line of the operating machine.

- Place the equipment in a stable and safe position.
- Deactivate the docking mechanism of the device located on the quick-release itself.
- Slowly back up with the operating machine while extracting the quick-release by rotating it as shown in the picture.



Caution !



The rear axle of the operating machine is lightened in accordance with the weight of the equipment. Check the lifting capacity and stability; if necessary apply ballast in order to avoid tipping. During manoeuvring, the equipment must not be in excess of 300 mm from the ground so as to not compromise the stability of the operating machine.

Use regulations

Once we have reached the area where we intend to use the snow turbine, we must make sure that there are no obstacles hidden under the snow; otherwise we must remove any obstacles to avoid damaging the equipment. Assess the field of activity in the work area making sure that there are no people or animals with a 50 m radius around the machine.

-Adjust the working height by operating the side slides according to the type of terrain we have to clear. On unpaved roads, keep the equipment a few centimetres above the ground in order for the forward facing feeding screws to avoid collecting gravel or other material.
 - Activate the operating machine's hydraulic circuit and start forward at about 80% power. It is advisable to perform this sequence while the equipment is lifted or in areas free from snow so as to begin clearing in a gradual manner. Gradually increase rpm until max power.

Always check direction and angle of ejecting snow so as to avoid people or things. The rotation of the hydraulic vent is limited by a mechanical lock; be careful to not insist with the hydraulic control if the vent is not rotating.

Rotation must always occur under maximum safety conditions and must never be aimed towards points or places which may be dangerous for people or things.

In order to achieve the maximum results from the turbine, lower the machine's speed in accordance with the snow's height and compactness so as to allow for maximum allowed rpm of the impeller. In order to avoid overloading we suggest that you do not arrest the turbine's rotation in the middle of a clearing pass, but only at the end of the pass, so that the forward-facing feeding crews and the impeller may expel all the snow from the vent.

If the snow is particularly heavy or damp, and if possible, rotate the ejection vent along the direction of the flywheel and reduce the angle of the deflector to its lowest setting, so that the exiting snow doesn't find any variations and bottlenecks along its path.

Snow can be optimally cleared when its consistency is 80-140 Kg/m³ (fresh snow) or when it is compact but slightly frozen (crystalline).

End of Work

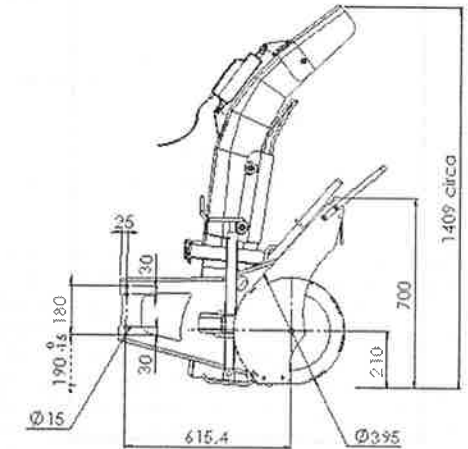
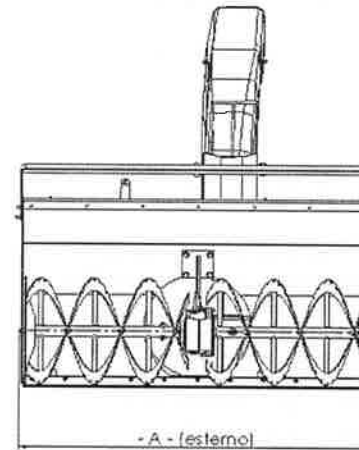
Stop the vehicle and disengage the hydraulic system rotation when the chute is fully free if possible.

Warning!



The vehicle's actions on the road, its steering and its braking capacity are influenced by the equipment on board.

Description of models/technical data



Model - Quota "A"

BASIC L1200	1240 mm
BASIC L1300	1340 mm
BASIC L1400	1440 mm

Model - Quota "A"

BASIC L1500	1540 mm
BASIC L1600	1640 mm

General Safety Regulations

Failure to observe the basic safety regulations or precautions could lead to accidents during use, maintenance or repair of the snow blower. Accidents can often be avoided by recognising potentially dangerous situations before they happen. As the operator, you must be aware of potential dangers and have sufficient training, knowledge and equipment to perform these tasks correctly.



Description of models/technical data

	L1200	L1300	L1400
- Working width	1200 mm	1300 mm	1400 mm
- Approx. mass	206 kg	225 Kg	240 kg
- Oil capacity Min/Max	40/60 l/min	45/70 l/min	50/70 l/min
- Oil pressure Min/Max	160/220 bar	160/220 bar	160/220 bar
- Peak pressure MAX	245 Bar	225 Bar	225 Bar
	L1500	L1600	
- Working width	1500 mm	1600 mm	
- Approx. mass	255 kg	270 Kg	
- Oil capacity Min/Max	55/80 l/min	60/80 l/min	
- Oil pressure	160/200 bar	160/200 bar	
- Peak pressure MAX	215 Bar	215 Bar	

For all models

- Working height 700mm
- Front auger diameter 395mm
- Impeller diameter 400mm
- Full power hydraulic motor 900/1000 rpm
- Ejection vent featuring a hydraulically controlled rotation and inclination adjustment. 360° vent rotation
- Minimum required oil flow for vent adjustment 10litres/ min – max 25 litres/ min
- Required oil pressure for vent adjustment 40 bar.
- Replaceable lower steel wear blade.

Note

The weights indicated above are purely indicative and can vary depending on the application required and specific modifications.

The hydraulic motor's "size" is supplied in accordance with the operating machine's hydraulic system type and performance.

THE OPERATING MACHINE MUST COMPLY WITH THE FOLLOWING REQUIREMENTS

Type of operating machine	skid steer loader-ski loader-tractor
Min/max required oil flow	40-70 litres/minute
Min/Max required pressure	160-220 Bar

Universal quick-release plate
Minimum G1/2 hydraulic connections

Maintenance

Warning!



These operations can be dangerous for personal safety. Please proceed with care and attention, respecting all safety regulations.

Before starting any maintenance or cleaning operation, use the Individual Protection Devices (P.P.E.) such as gloves, anti-injury shoes, glasses etc for the job you are doing.



Before starting any maintenance operation, turn off the snow blower's engine.
Attach a sign to the controls stating:
MACHINE UNDER MAINTENANCE - DO NOT START ENGINE

Before starting any maintenance operation:

- Ensure that the engine is switched off.
- Carefully read all the regulations contained in this manual.
- Respect all the safety labels on the equipment.
- Do not allow unauthorised people to repair or perform maintenance operations on the machine.
- To use compressed air for cleaning, protect yourself with the specific glasses.
- The maintenance area must be kept clean.
- Do not lubricate, repair or adjust the machine with the engine running.
- Never use your bare hands to check for any loss of fluids; this could damage or injure your skin.

Caution !



Do not disperse old oil or residual grease into the environment. Old oil must be collected and handed over to the Old Oil Consortium using the Authorised Companies.

Always use equipment in perfect condition and specifically created for the operation at hand. Use of unsuitable and inefficient equipment increases the risk of serious injury.

Warning!



Perform all maintenance operations with the machine stationary and on the ground and connected to the vehicle with the engine turned off.



Maintenance

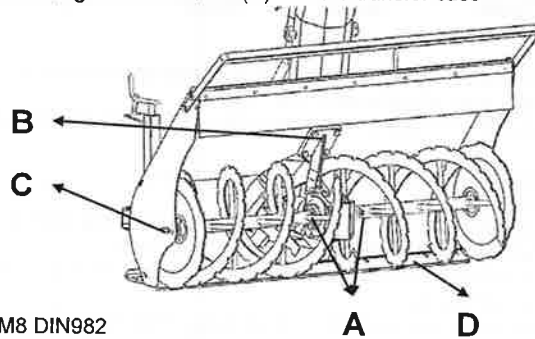
The following are ordinary maintenance and control activities which are required to ensure the equipment's normal operation.

Extraordinary maintenance must be performed exclusively by the technicians of the manufacturing company. **Follow planned maintenance and inspection procedures during the entire life-cycle of the equipment in relation to its frequency in usage.**

If torque wrenches or other special tools are used, please verify that their calibration is suited to the component. Do not forget rags, wrenches or tools needed for maintenance inside the machine.

Feeding screws and transfer case

After finishing work it is important to remove all snow from the turbine with the included wooden stick, check if all screws securing the wear blade (D) and the transfer case mounting (B) are secured.

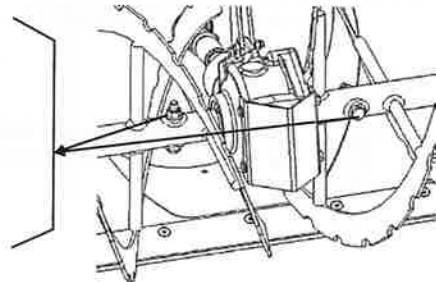


D= VSP M8x25 DIN7991 +DE M8 DIN982

Check that feeding screws and impeller are free to rotate; if they are not, check the integrity of the ball bearings and side supports (C). If during use we become aware that we caught a stone or something similar, verify that the feeding screws and the impeller have not been deformed; if that is the case it is necessary to replace the damaged parts in order to avoid imbalances and harmful vibrations for the machine itself. The transfer case does not require maintenance, however check periodically for oil leaks; should there be any oil leaks contact customer care. The feeding screws are equipped with safety screws (A). In order to avoid transporting medium or large sized material which may damage the equipment, the safety screws are designed to break beyond a certain load. We advise you to always have a few spare suitably sized screws on hand.

BASIC L1100-L1200 VTE M8x60 10.9 DIN931
+ DE M8 DIN934

BASIC L1300-L1400 VTE M10x65 8.8 DIN931
L1500-L1600 + DE M10 DIN934



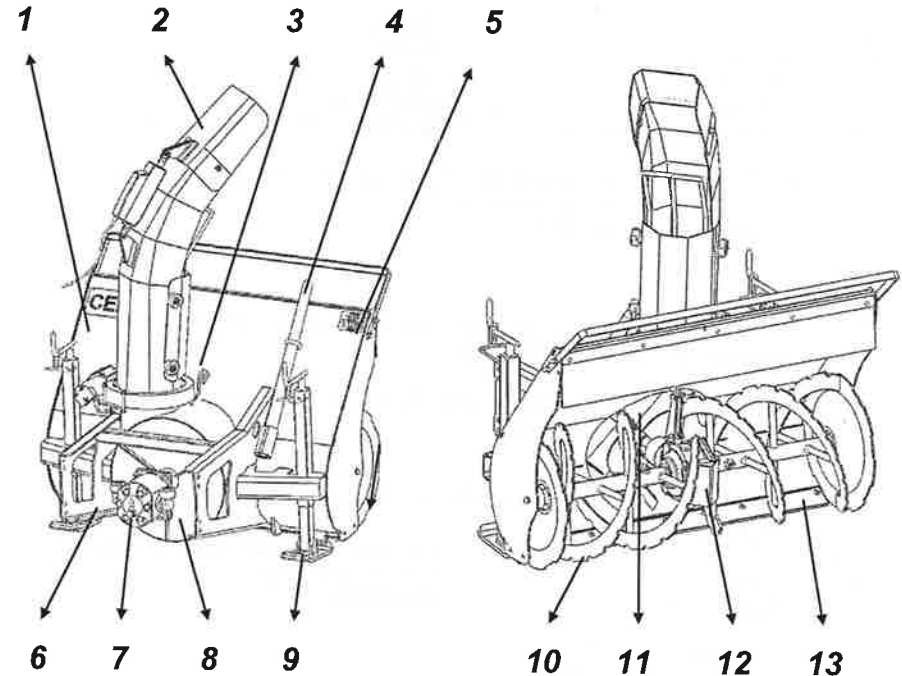
Description of the equipment

Caution !



Respect the number of rotations indicated by the manufacturer to avoid snow blower malfunction or excessive vibrations.

- 1 - Body shell
- 2 - Snow discharge chute
- 3 - Raising attachment
- 4 - Pole for blockage removal
- 5 - Machine identification plate
- 6 - Machine attachment plate to vehicle
- 7 - Hydraulic engine
- 8 - Conveyor
- 9 - Adjustable side slides
- 10 - Augers with ice breaking teeth
- 11 - Paddle impeller
- 12 - Central transmission group
- 13 - Lower blade





Uses

- The snow blower **BASIC HY** series is a machine that attaches to a mechanical vehicle such as a tractor with front and rear attachment, hydraulic lawnmowers, compact mini paddles to remove layers of snow from streets, roads, footpaths, squares, industrial areas, etc.

It removes any type of snow as long as it is not too heavy (wet) or too icy. The moving speed of the snow blower depends on the type of snow and the height of the snow.

Caution !



Given that this machine will be attached to a mechanical vehicle, you must read the user and maintenance manual of the snow blower and of the vehicle itself in their entirety.

The type of vehicle you use must have the characteristics reported on Page 5 Using the snow blower for any use other than its specific use is considered IMPROPER USE.

Description of the equipment and function

- The snow blower, pushed by the vehicle using an attachment plate (6 - Page 5) removes the snow depending on the vehicle's force itself and the motion transmitted by HYDRAULIC ENGINE (7).

- It has a main structure (body shell 1) and the main working elements are the augers (10) and the impeller (11) contained in the conveyor (8).

The augers are divided into two parts: right semi-auger with right impeller rotation and left semi-auger with left impeller rotation.

With movement and the rotating motion of the augers, the snow is collected into the centre of the snow blower and pushed inside the conveyor.

The impeller, with a rotation ranging from **900** to **1000** rotations/minute discharges the snow from the chute (2) which is aimed in the desired direction and/or always in a direction which does not pose danger to people or objects.

The rotating movement of the augers and the impeller are controlled by hydraulic engine (7). It is **important** to respect the number of rotations indicated by the manufacturer. A lower number of rotations may lead to a malfunction of the snow blower turbine and a higher number of rotations could render it **dangerous**. The number of rotations is given on Page 6.

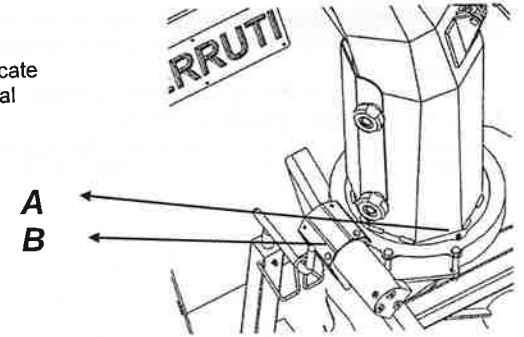
The snow blower is equipped with a working height adjustment system and height is adjusted using the side slides (9) which gives the augers maximum vicinity to the ground wherever the ground is compact and smooth without bumps (without gravel, stones or other obstacles).



Maintenance

Ejection vent

After each work cycle it is important to lubricate points A on the bearing with grade 2 mineral grease with grease gun.



Spread grease on the worm screw inside the protective carter (B).

In case the vent should be blocked up, you must do the following:

- Rotate the vent towards the equipment's side.
- Shut of the operating machine's engine.
- Remove the remaining snow from the vent with the included stick.
- Replace the stick in its place and slowly start the turbine again.

Warning!



With hydraulic rotation, the vent can rotate 360 degrees with the mechanical lock. Be careful so as to not wind any piping around the vent itself.

Hydraulic engine

The hydraulic motor (M) is of the geared type and requires that piping be always clean and free of contaminants when plugging in the quick-release extensions. The engine itself must be filled with oil before starting up rotation.

Maximum oil temperature when operating must not exceed 80 degrees.

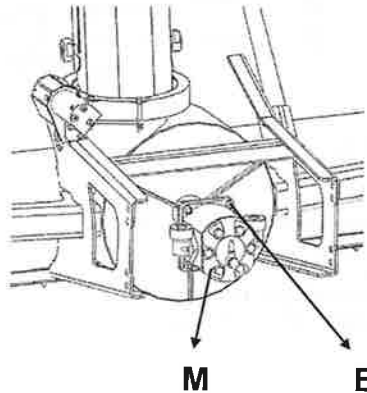
The motor works at optimum performance if the oil's viscosity ranges between 3°E and 10°E. The higher the viscosity, the higher the performance.

Maintenance

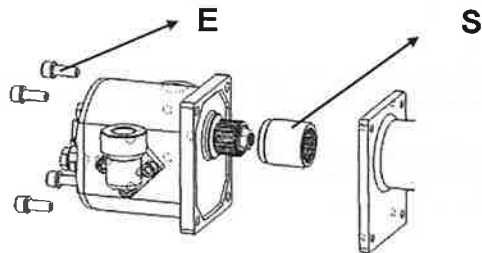
It is essential to equip the hydraulic system with a suitable filtration device, safety systems with reliable instruments and suitable systems to avoid turbulences in the fluid.

Before starting up the motor at nominal power, we advise you follow the following tips =

- check if rotation direction is correct.
- avoid setting the motor at lower rpm than the minimum allowed (500 Rpm) and avoid overload start ups if oil is at a low temperature.



Periodically check the wear of the grooved pipe (S) joining the motor and the transmission shaft by removing the screws (E) on the engine flange. Replace in case the pipe's internal grooves are worn out. Spread grease in the pipe before replacing it.



Manufacturer Identification Details

Manufacturer: CERRUTI S.R.L.
Address: Via Statale, 27/H – 14033 Castell'Alfero (AT) Italy
Telephone: +39 0141 296957
Fax: +39 0141 276915
E-mail: info@cerrutimacchineagricole.it

Machine Identification Plate/CE Marking

The machine model, the frame serial number and other identification and technical details are reported on the riveted metal identification plate located on the upper part of the body shell.

To order any spare parts or accessories, please record the details listed on the identification plate.



We advise you to write down the numbers printed on the equipment's plate and to insert them in the appropriate spaces on this page.

Caution !



In the event of deterioration or loss of your identification plate, you will need to request a replacement from the Manufacturer citing the purchase details.



Preface

Thank you for choosing our product. Our Customer Assistance and Sales Network are available to you for any information you may require.

This manual provides you with all the information you require for the use and maintenance of your snow blower. The good function and duration of your snow blower depend on a good level of maintenance and caution during use.

Before leaving the production site, this specific model was subjected to strict testing procedures to ensure its reliability and safety; however, you will need to check whether the machine has been damaged during transportation as this could compromise its function and safety.

The technical information contained in this manual is the property of CERRUTI and must be considered confidential. Reproduction, even partial, of the content and illustrations is prohibited by law.

Some features depicted in the illustrations in this manual may be different to the features of your snow blower. Some components may have been removed to guarantee clarity in the illustrations.

The information and technical data contained within this manual have been provided by the manufacturer during production. The manufacturer reserves the right to make any changes to this manual at any time without notice.

If you have any doubts, do not interpret the information. Instead, contact CERRUTI immediately.

The Spare Parts Assistance Team provides original parts for the snow blower. The Technical Assistance Team is the only team authorised to intervene on the product during the warranty period, supported by the external authorised network.

By using original spare parts you are ensuring that your snow blower remains unaltered over time and that you are covered by the PRODUCT WARRANTY throughout the warranty period.

Warning!



Read this manual before using the snow blower.



on line

TECHNICAL ASSISTANCE

Please contact our resellers for any problems or queries you may have

End of use/Storage

Wash the frame with a water jet, especially the internal parts in order to remove any salt residues. Dry and perform a complete lubrication cycle. After having completed all cleansing operations, disconnect the snow turbine from the operating machine taking care to disconnect all flexible hydraulic pipes from the quick-release joints of the auxiliary line. The equipment must be stored in a secure location, inaccessible to children and animals, protected with a suitable cover in order to avoid contact with rotary devices and their accidental rotation.

Scrapping and disposal

The equipment's scrapping operations must be performed by operators who are experts in the sector and in compliance with all standing regulations pertaining the issue:
-do not release non-biodegradable products, oils and non-ferrous components (plastic, rubber, etc) into the environment.
During scrapping, select all components based on their chemical and composition characteristics and carry out recycling.

Caution !



Do not release exhausted oils or residual lubricants into the environment.
Exhausted oils must be collected and transported to the Exhausted Oils Consortium by Authorised bodies.



Hydraulic system (standard)

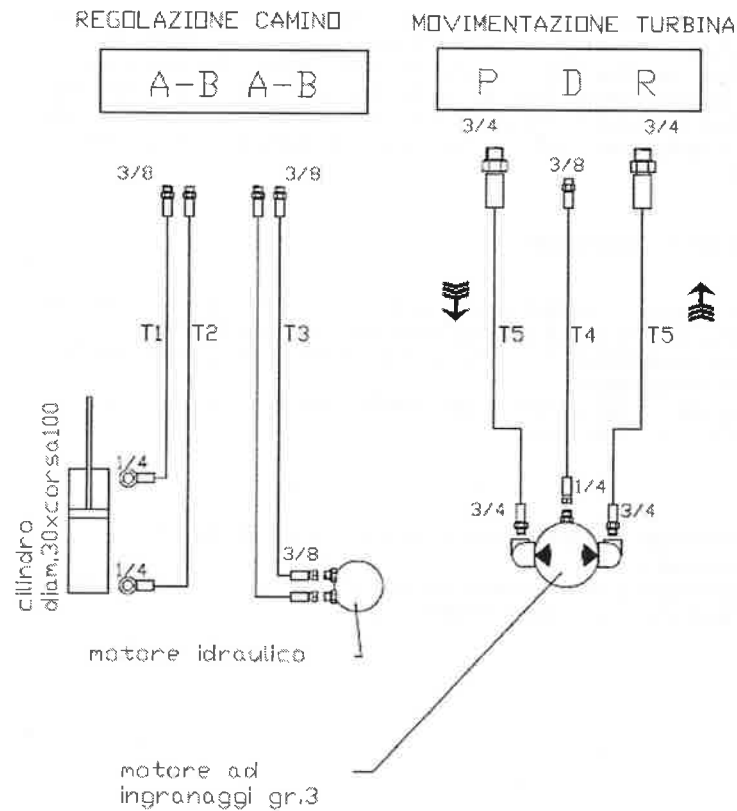


Table of Contents

Page

Foreword	1
Manufacturer's identification information.....	3
Equipment identification plate/ CE markings.....	3
Expected use.....	4
Equipment description and operation.....	4
Technical details of the model.....	6
General safety regulations.....	7
Safety and protective devices.....	10
Safety plates and symbols.....	11
Equipment lifting/handling.....	12
Installing and connecting to the operating machine.....	12
Use regulations.....	14
Maintenance.....	15
- Feeding screws and transfer case.....	16
- Ejection vent.....	17
- hydraulic motor	18
End of use / Storage.....	19
Scrapping and Disposal.....	19
Hydraulic system	20
General warranty conditions.....	21

PICTOGRAM SYMBOLS USED IN THIS MANUAL



WARNING =
 THIS SYMBOL INDICATES THAT IF OPERATIONS ARE NOT PERFORMED CORRECTLY, THEY MAY CAUSE SERIOUS HARM OR INJURY, DEATH OR HEALTH RISKS



CAUTION =
 THIS SYMBOL REMINDS YOU TO OBSERVE THE MANUFACTURER'S INDICATIONS IN ORDER TO AVOID DAMAGE TO MACHINERY OR EQUIPMENT

Foreword

TERMS CONTAINED IN THIS MANUAL

The snow turbine described in this manual shall be hereafter known as "EQUIPMENT" The machine with which the equipment is coupled shall be known as "OPERATING MACHINE"

The "OPERATOR" is the person who attaches, drives, transports and performs maintenance on the equipment.

By "DANGEROUS AREA" we intend the area in the vicinity of the equipment where risk to the exposed person's safety is high.

By "EXPOSED PERSON" we intend the person who lies within the dangerous area.

By "MACHINE" we intend the assembly of operating machine and equipment.

T1	TUBO SAE100-1/4 RIAT-L.2000mm
T2	TUBO SAE100-1/4 RIAT-L.2100mm
T3	TUBO SAE100-1/4 RIAT-L.1500mm
T4	TUBO SAE100-3/4 RIAT-L.2000mm
T5	TUBO SAE100-3/4 RIAT-L.2000mm

		Q.ta'
Øcc40 1/4"		F.3/8" 1
Øcc40 1/4"		F.3/8" 1
Ø3/8"		F.3/8" 2
Ø3/8"		F.2/4" 1
Ø3/4"		Ø3/4" 2



CERRUTI S.R.L.

VIA STATALE 27/H
14033 CASTELL'ALFERO AT
Tel. (+39)0141/296957 - Fax (+39)0141-276915
Tax and VAT Number 01295490054

DECLARATION OF COMPLIANCE

CERRUTI S.R.L. declares under its own responsibility that the machine:

SNOW BLOWER
Model HY L1300
BASIC BS
SERIAL n°
Year 2015

complies with European Directive:

2006-42 CE

To ensure the machine's compliance, the following Harmonised Norms were used:

ISO 4254-1

as well as Technical Specification:

ISO 11684

CASTELL'ALFERO
DATE 26/1/2015

CERRUTI S.R.L.
Legal Representative
Roberto Cerruti

General terms of warranty

The manufacturer guarantees its products for 12 months from the date of delivery. Parts characterised by faults in materials, mechanical and productions processes will be replaced free of charge by the manufacturer through its sales and technical servicing network.

The fault found must be reported to CERRUTI and, should the circumstances require, be appropriately documented with a written technical report and/or photographic material. The faulty part must be returned to CERRUTI who, after inspecting it and verifying that the warranty is applicable, will repair or replace it, taking the necessary time to do so, without charging for either material or labour.

The cost of transport of the parts covered by warranty shall be borne by the customer, who may organise it personally or authorise CERRUTI to take care of transport and charge all expenses to the customer.

The warranty shall be voided in the following cases:

- Obvious absence of maintenance
- Improper use of equipment or interference
- Use of non-original spare parts or unsuitable lubricants
- Operations carried out by unauthorised personnel

-The manufacturer excludes consumable materials and parts subject to normal wear and tear from the warranty.

- Any damages caused during transport must be reported immediately to the transporter; otherwise the warranty shall be voided.

- The warranty does not cover direct or indirect damages caused to persons or objects by failure of equipment or due to enforced prolonged suspension of its use.

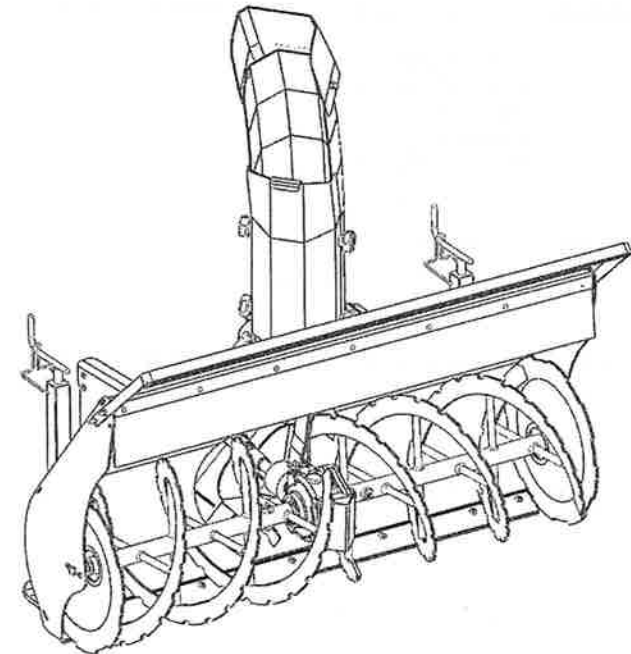
- When applying for repairs under warranty, please indicate:

- 1-serial and model number of the equipment
- 2-registration number
- 3-date of purchase
- 4-dealer name



**USER AND MAINTENANCE MANUAL
HYDRAULIC SNOW BLOWER**

**two stage for tractors
BASIC Sx HY series**



CERRUTI srl

Via Statale 27/H - 14033 Castell'Alfero (AT)
Tel. +39 0141296957 Fax +39 0141276915
info@cerrutimacchineagricole.it
www.cerrutimacchineagricole.it

Read this manual carefully before using the snow blower

M140113-GB